



  
STARVILLE

PAR56 10MM UV  
LED PAR

Musikhaus Thomann e.K.

Treppendorf 30

96138 Burgebrach

Germany

Telephone: +49 (0) 9546 9223-0

E-mail: [info@thomann.de](mailto:info@thomann.de)

Internet: [www.thomann.de](http://www.thomann.de)

03.12.2012

## Table of contents

<b>1</b>	<b>General notes.....</b>	<b>4</b>
<b>2</b>	<b>Safety instructions.....</b>	<b>7</b>
<b>3</b>	<b>Features.....</b>	<b>11</b>
<b>4</b>	<b>Installation.....</b>	<b>12</b>
<b>5</b>	<b>Starting up.....</b>	<b>15</b>
<b>6</b>	<b>Connections and operating elements.....</b>	<b>18</b>
<b>7</b>	<b>Operation.....</b>	<b>21</b>
	7.1 Starting up the device.....	21
	7.2 Main menu.....	21
	7.3 Menu overview.....	26
	7.4 Functions in 2-channel DMX mode.....	27
<b>8</b>	<b>Technical specifications.....</b>	<b>28</b>
<b>9</b>	<b>Troubleshooting.....</b>	<b>29</b>
<b>10</b>	<b>Protecting the environment.....</b>	<b>31</b>


# 1 General notes



This user manual contains important information on safe operation of the device. Read and follow all safety notes and all instructions. Save this manual for future reference. Make sure that it is available to all persons using this device. If you sell the device, include the manual for the next owner.

Our products are subject to a process of continuous development. We therefore reserve the right to make changes without notice.

## **Symbols and signal words**

This section provides an overview of the symbols and signal words used in this user manual.

Signal word	Meaning
<b>DANGER!</b>	This combination of symbol and signal word indicates an immediate dangerous situation that will result in death or serious injury if it is not avoided.
<b>WARNING!</b>	This combination of symbol and signal word indicates a possible dangerous situation that can result in death or serious injury if it is not avoided.
<b>NOTICE!</b>	This combination of symbol and signal word indicates a possible dangerous situation that can result in material and environmental damage if it is not avoided.
Warning signs	Type of danger
	Warning – high-voltage.

Warning signs	Type of danger
 A yellow triangular warning sign with a black border. Inside the triangle, a black silhouette shows a person standing next to a rectangular object (a load) that is suspended by a rope or cable from above.	Warning – suspended load.
 A yellow triangular warning sign with a black border. Inside the triangle, a large black exclamation mark is centered.	Warning – danger zone.

## 2 Safety instructions

### Intended use

This device is intended to be used as an electronic illumination effect using LED technics. Use the device only as described in this user manual. Any other use or use under other operating conditions is considered to be improper and may result in personal injury or property damage. No liability will be assumed for damages resulting from improper use.

This device may be used only by persons with sufficient physical, sensorial, and intellectual abilities and having corresponding knowledge and experience. Other persons may use this device only if they are supervised or instructed by a person who is responsible for their safety.

### Safety



#### **DANGER!**

#### **Danger for children**

Ensure that plastic bags, packaging, etc. are disposed of properly and are not within reach of babies and young children. Choking hazard!

Ensure that children do not detach any small parts (e.g. knobs or the like) from the unit. They could swallow the pieces and choke!

Never let children unattended use electrical devices.



**DANGER!**

**Electric shock caused by short-circuit**

Do not modify the mains cable or the plug. Failure to do so could result in electric shock/death or fire. If in doubt, seek advice from a registered electrician.



**DANGER!**

**Electric shock caused by high voltages inside**

Within the device there are areas where high voltages may be present. Never remove any covers.

There are no user-serviceable parts inside.



**WARNING!**

**Eye damage caused by high light intensity**

Never look directly into the light source.





**WARNING!**

**Risk of epileptic shock**

Strobe lighting can trigger seizures in photosensitive epilepsy. Sensitive persons should avoid looking at strobe lights.



**NOTICE!**

**Risk of fire**

Do not cover the device nor any ventilation slots. Do not place the device near any direct heat source. Keep the device away from naked flames.



**NOTICE!**

**Operating conditions**

This device has been designed for indoor use only. To prevent damage, never expose the device to any liquid or moisture. Avoid direct sunlight, heavy dirt, and strong vibrations.



### **NOTICE!**

#### **Power supply**

Before connecting the device, ensure that the input voltage (AC outlet) matches the voltage rating of the device and that the AC outlet is protected by a residual current circuit breaker. Failure to do so could result in damage to the device and possibly injure the user.

Unplug the device before electrical storms occur and when it is unused for long periods of time to reduce the risk of electric shock or fire.

## 3 Features

Special features of this device:

- 144 × UV LEDs
- Operation in stand-alone, master / slave or DMX mode
- Very simple operation via buttons and display on the unit
- Robust metal housing with detachable grille
- Ideal for clubs, bars, stages, exhibitions and many more applications

## 4 Installation

Unpack and check carefully there is no transportation damage before using the unit. Keep the equipment packaging. To fully protect the device against vibration, dust and moisture during transportation or storage use the original packaging or your own packaging material suitable for transport or storage, respectively.

You can install the device on the wall, ceiling or floor. A mounting bracket is included in the package.



**WARNING!**

**Risk of injury caused by falling objects**

Make sure that the installation complies with the standards and rules that apply in your country. Always secure the device with a secondary safety attachment, such as a safety cable or a safety chain.

**NOTICE!****Use of stands**

When mounting the device onto a stand, ensure that the stand is in a safe and stable position and that the weight of the device does not exceed the maximum permissible load capacity of the stand.

**NOTICE!****Possible data transmission errors**

For error-free operation make use of dedicated DMX cables and do not use ordinary microphone cables.

Never connect the DMX output to audio devices such as mixers or amplifiers.

**DMX connections**

The unit offers a 3-pin XLR socket for DMX output and a 3-pin XLR plug for DMX input. Please refer to the drawing and table below for pin assignment.



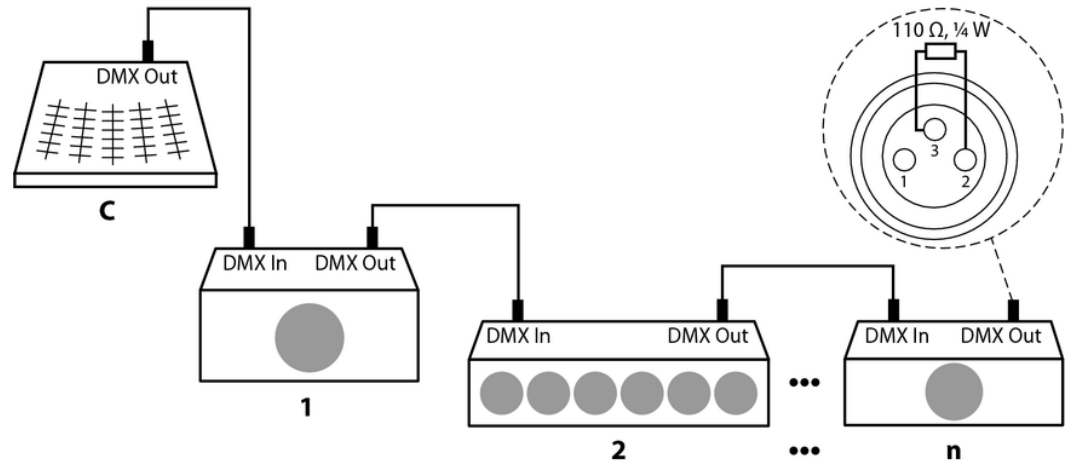
1	Ground, shielding
2	DMX data (-)
3	DMX data (+)

## 5 Starting up

Establish all connections as long as the unit is switched off. Use the shortest possible high-quality cables for all connections.

### Connections in DMX mode

Connect the DMX input of the device to the DMX output of a DMX controller or another DMX device. Connect the output of the first DMX device to the input of the second one, and so on to form a daisy chain. Always ensure that the output of the last DMX device in the daisy chain is terminated with a resistor ( $110\ \Omega$ ,  $\frac{1}{4}\text{ W}$ ).



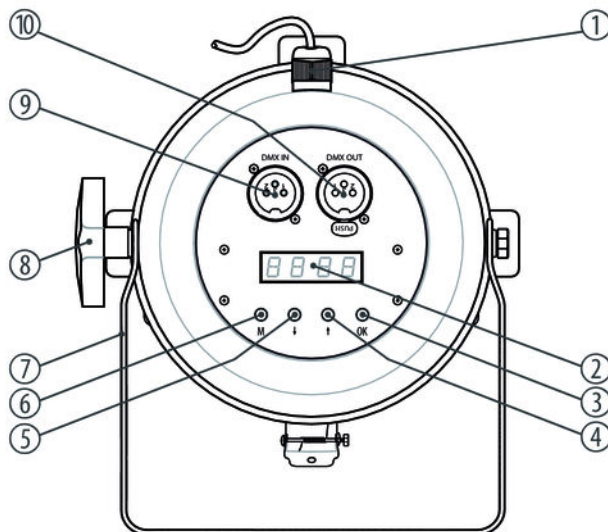


**Connections in master/slave mode**

When you configure a group of devices in master/slave mode, the first unit will control the other units for an automatic, sound-activated, synchronized show. This function is ideal when you want to start a show immediately. Connect the DMX output of the master device to the DMX input of the first slave device. Then connect the DMX output of the first slave device to the DMX input of the second slave device and so on.

## 6 Connections and operating elements

### Rear panel



1	Power chord.
2	Display.
3	[OK] button Confirms a selected value.
4, 5	↑, ↓ buttons Increases / decreases the displayed value by one.
6	[M] button Activates the main menu or a submenu.
7	Bracket for hanging or setting up.
8	Locking screw for the bracket.

9	<b>DMX IN</b> DMX input.
10	<b>DMX OUT</b> DMX output.

## 7 Operation

### 7.1 Starting up the device

Connect the unit to the power grid to start operation. The device is immediately ready to use and operates in the last active mode with the last selected settings.

### 7.2 Main menu

#### Menu operation

Press *[M]* to open the main menu. Use the arrow keys to select the desired parameter or to change the respectively indicated value. When the display shows the desired parameter or value, press *[OK]* to enter the respective submenu or to confirm a new value. To return to the previous menu level without changes, press *[M]* (for menu structure see [↪ Chapter 7 'Operation' on page 21](#)).

### **DMX address**

Press *[M]*. Press one of the arrow keys repeatedly until the display shows 'DMX'. Press *[OK]*. Now you can set the number of the first DMX channel to be used by the device (DMX address). Use the arrow keys to select a value between 1 and 512 (the display shows 'A001' ... 'A512').

When the display shows the desired value, press *[OK]* to confirm the selection. Then press *[M]* to return to the higher menu level. To return to the higher menu level without changes, press *[M]*.

Make sure that this number matches the configuration of your DMX controller. The highest possible start address for the 2-channel DMX mode is 511.

### **Manual test**

Press *[M]*. Press one of the arrow keys repeatedly until the display shows 'TEST'. Press *[OK]*.

This operating mode can be used to test the strobe effect speed ('STRO') and the dimmer setting ('DIMM'), to change both settings and to operate the device in stand-alone mode.

**Operating mode 'Show/Master'**

Press the *[M]* button. Press one of the arrow keys repeatedly until the display shows 'LINE'. Press *[OK]*. Press one of the arrow keys repeatedly until the display shows 'MA'. Press *[OK]*. Now you can select one of the 4 preprogrammed automatic shows. Use the arrow keys to select a value between 1 and 4 (the display shows 'P-01' ... 'P-04').

The automatic show can only be activated on the device that operates as 'Master'.

This setting is only relevant if the device is not controlled via DMX. The device can operate in stand-alone mode or control connected devices of the same type, that have to be configured as 'Slaves'. When the display shows the desired value, press *[OK]* to confirm the selection. Then press *[M]* to return to the higher menu level. To return to the higher menu level without changes, press *[M]*.

**Operating mode 'Slave'**

Press *[M]*. Press one of the arrow keys repeatedly until the display shows 'LINE'. Press *[OK]*. Press one of the arrow keys repeatedly until the display shows 'SL'. Press *[OK]*. Now you can assign a number to the device by which it is addressed as slave by the master. Use the arrow keys to select a value between 1 and 512 (the display shows 'A001' ... 'A512').

This setting is only relevant if the device is operated as slave by a master, but is not controlled via DMX. When the display shows the desired value, press *[OK]* to confirm the selection. Then press *[M]* to return to the higher menu level. To return to the higher menu level without changes, press *[M]*.

### **Programme speed**

Press *[M]*. Press one of the arrow keys repeatedly until the display shows 'SET'. Press *[OK]*. Press one of the arrow keys repeatedly until the display shows 'SPEER'. Press *[OK]*. Now you can set the programme speed for the preprogrammed automatic shows. Use the arrow keys to select a value between 1 and 255 (the display shows 'T001' ... 'T255').

This setting is only relevant if the device is not controlled via DMX. When the display shows the desired value, press *[OK]* to confirm the selection. Then press *[M]* to return to the higher menu level. To return to the higher menu level without changes, press *[M]*.

### **Strobe effect speed**

Press *[M]*. Press one of the arrow keys repeatedly until the display shows 'SET'. Press *[OK]*. Press one of the arrow keys repeatedly until the display shows 'STRO'. Press *[OK]*. Now you can set the strobe effect speed. Use the arrow keys to select a value between 0 and 24 (the display shows 'S-00' ... 'S-24').

This setting is only relevant if the device is not controlled via DMX. When the display shows the desired value, press *[OK]* to confirm the selection. Then press *[M]* to return to the higher menu level. To return to the higher menu level without changes, press *[M]*.

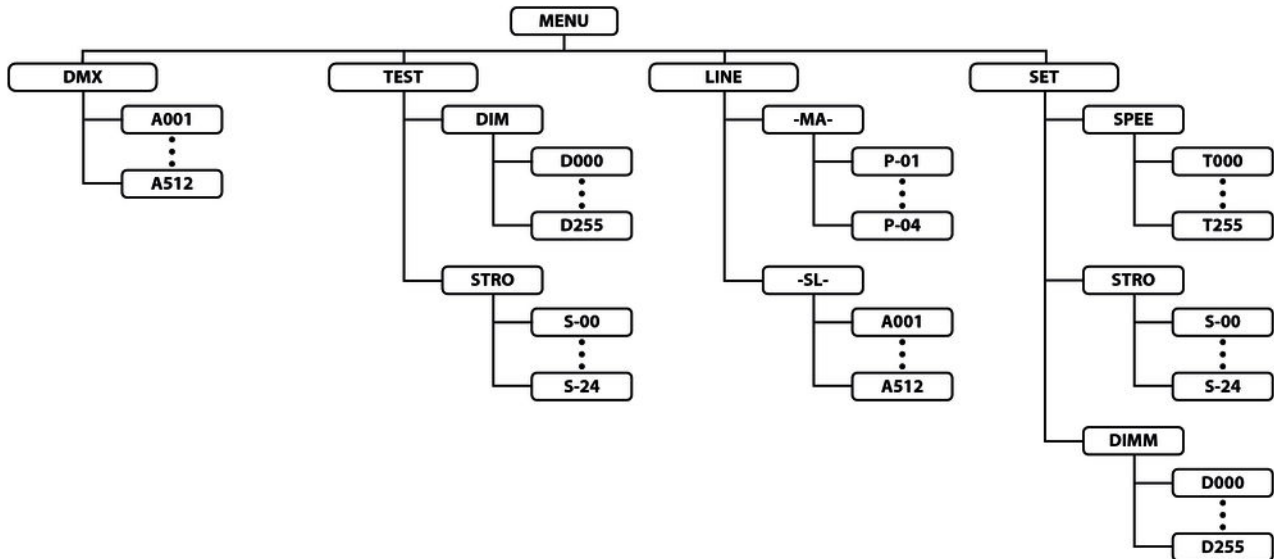


## Dimmer setting

Press *[M]*. Press one of the arrow keys repeatedly until the display shows 'SET'. Press *[OK]*. Press one of the arrow keys repeatedly until the display shows 'DIMM'. Press *[OK]*. Now you can adjust the dimmer. Use the arrow keys to select a value between 0 and 255 the display shows 'D000' ... 'D255').

This setting is only relevant if the device is not controlled via DMX. When the display shows the desired value, press *[OK]* to confirm the selection. Then press *[M]* to return to the higher menu level. To return to the higher menu level without changes, press *[M]*.

### 7.3 Menu overview



## 7.4 Functions in 2-channel DMX mode

Channel	Value	Function
1	0...255	Dimmer (0 % to 100 %)
2	0...255	Strobe effect (0 % to 100 %)

## 8 Technical specifications

Illuminant	144 × 10 mm LEDs (UV: 400 ... 410 nm)
Number of DMX channels	2
Operating voltage supply	AC 230 V ~ , 50 Hz
Power consumption	30 W
Dimensions (W × D × H)	205 mm × 220 mm × 210 mm
Weight	1.6 kg

## 9 Troubleshooting



### **NOTICE!**

#### **Possible data transmission errors**

For error-free operation make use of dedicated DMX cables and do not use ordinary microphone cables.

Never connect the DMX output to audio devices such as mixers or amplifiers.

In the following we list a few common problems that may occur during operation. We give you some suggestions for easy troubleshooting:

Symptom	Remedy
The unit does not work, no light.	Check the mains connection and the fuse.
No response to the DMX controller.	1. Check the DMX ports and cables for proper connection.
	2. Check the address settings and the DMX polarity.
	3. Try using another DMX controller.
	4. Check to see if the DMX cables run near or alongside to high voltage cables that may cause damage or interference to DMX interface circuits.

If the procedures recommended above do not succeed, please contact our Service Center. You can find the contact information at [www.thomann.de](http://www.thomann.de).

## 10 Protecting the environment

### Disposal of the packaging material



For the transport and protective packaging, environmentally friendly materials have been chosen that can be supplied to normal recycling.

Ensure that plastic bags, packaging, etc. are properly disposed of.

Do not just dispose of these materials with your normal household waste, but make sure that they are collected for recycling. Please follow the notes and markings on the packaging.

### Disposal of your old device



This device is subject to the European directive 2002/96/EC.

Do not dispose of the device with your normal household waste.

Dispose of this device through an approved waste disposal firm or through your local waste facility. When discarding the device, comply with the rules and regulations that apply in your country. If in doubt, consult your local waste disposal facility.





PAR56 10MM UV





